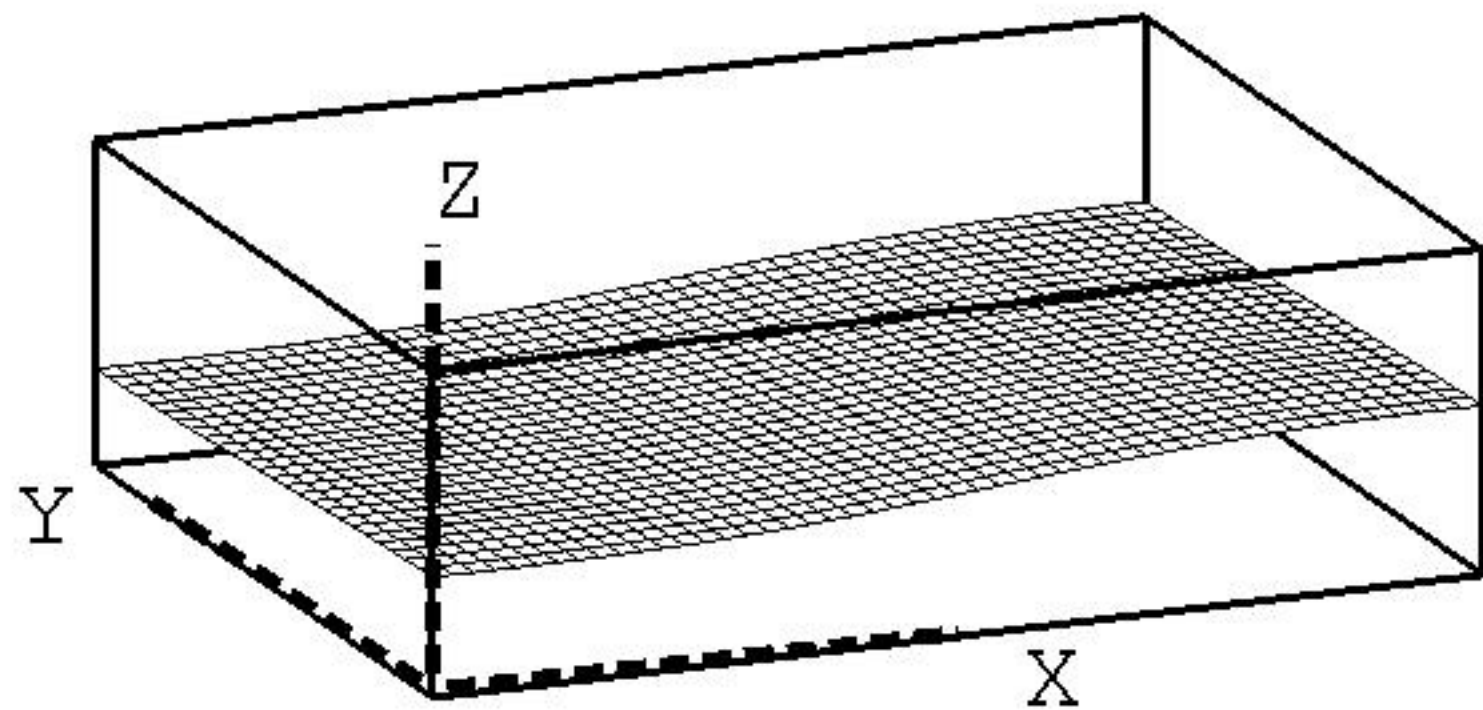
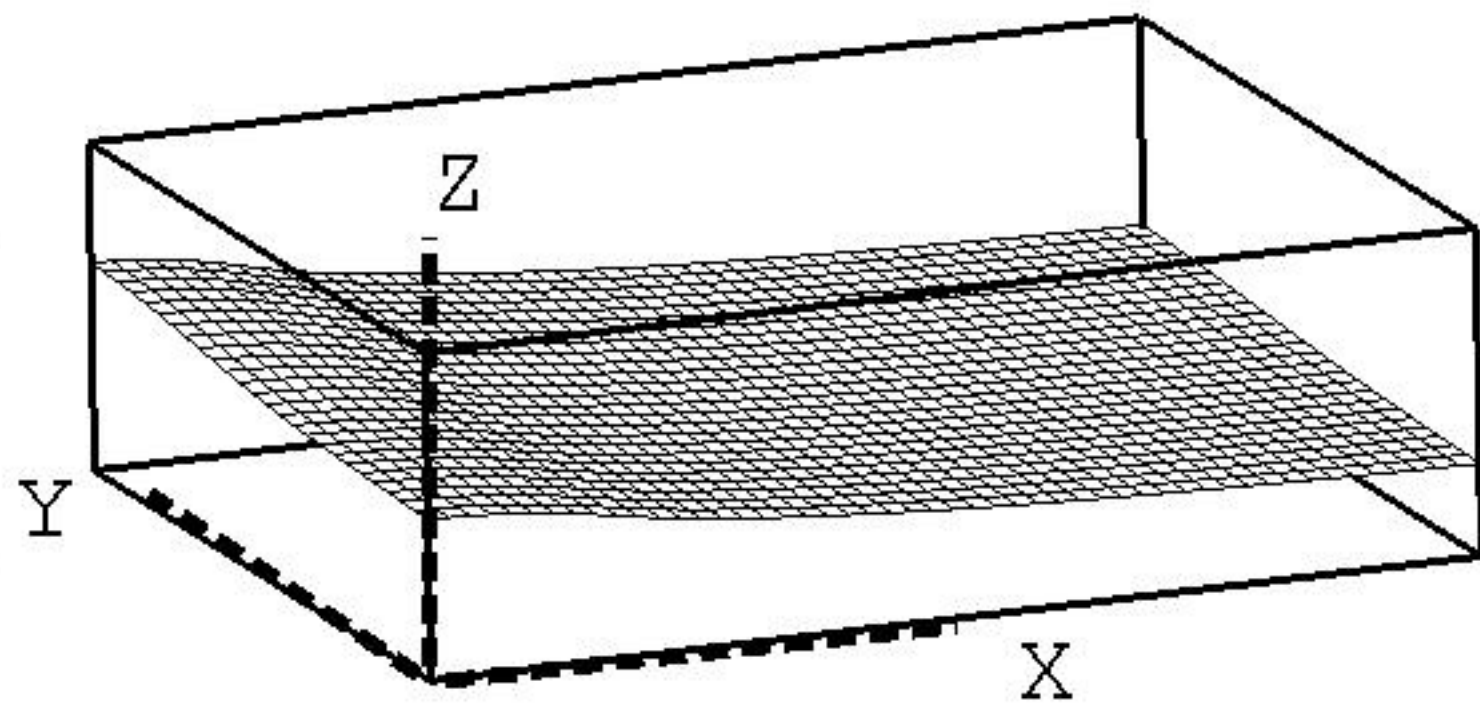


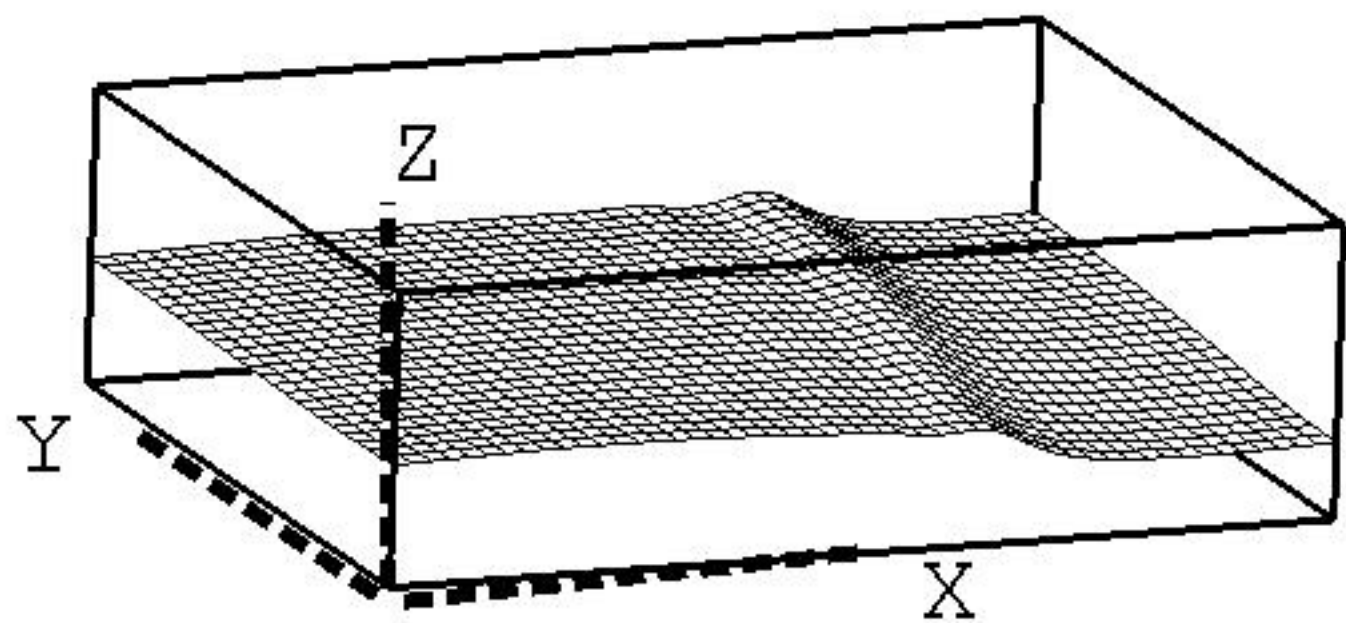
$t=0.8$ sec



$t=1.4$ sec



$t=1.9$ sec



$t=2.4$ sec

