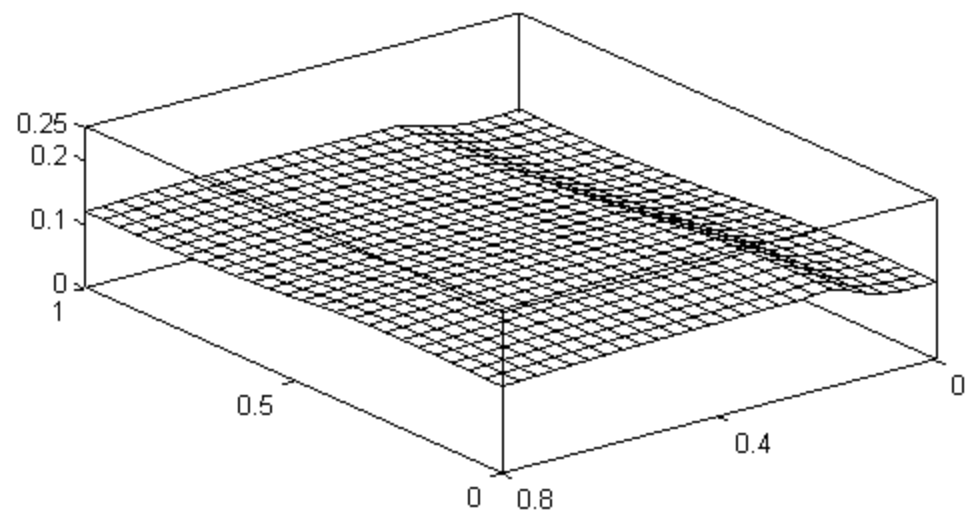
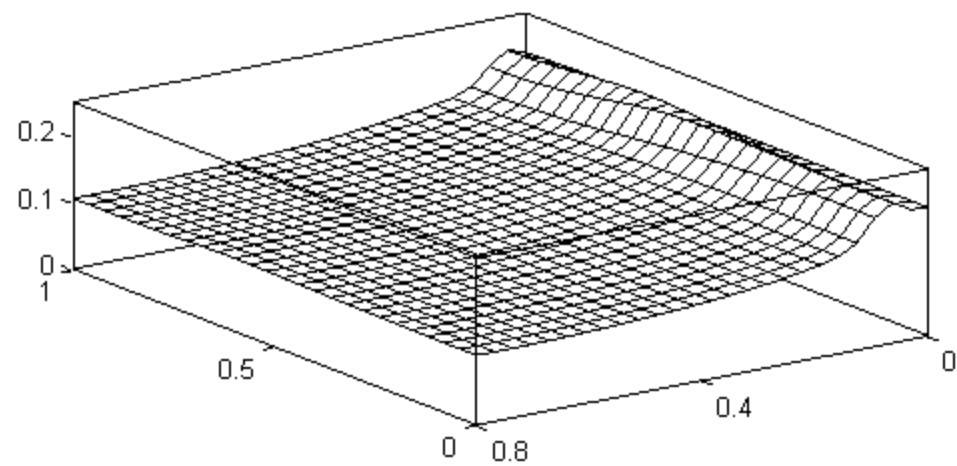


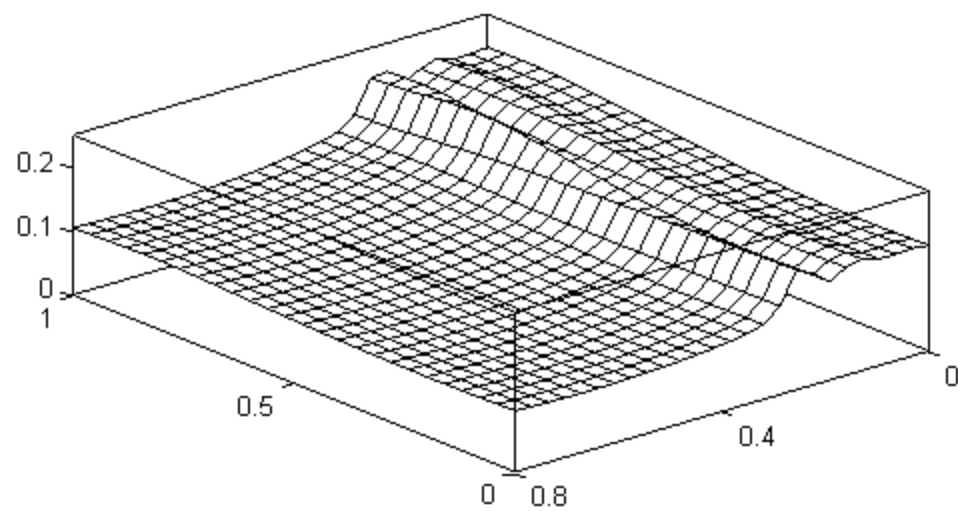
t=1.5 sec



t=1.7 sec



t=1.85 sec



t=2.1 sec

