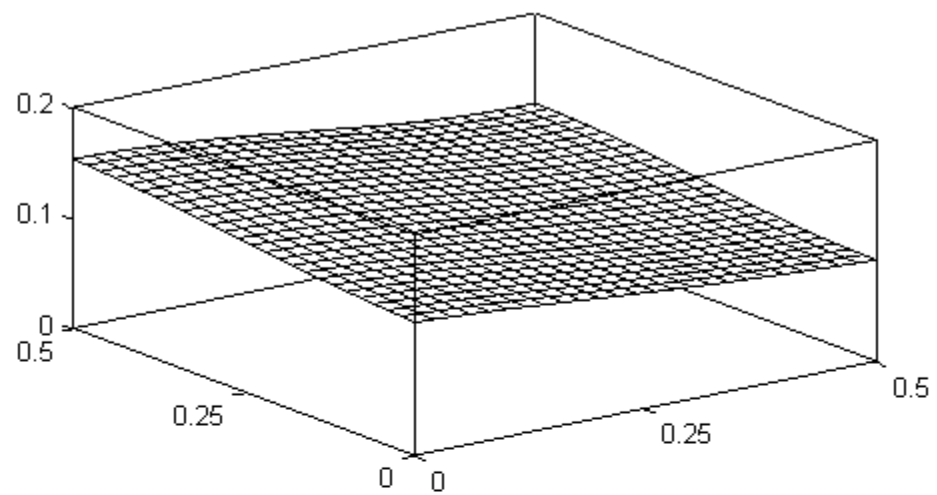
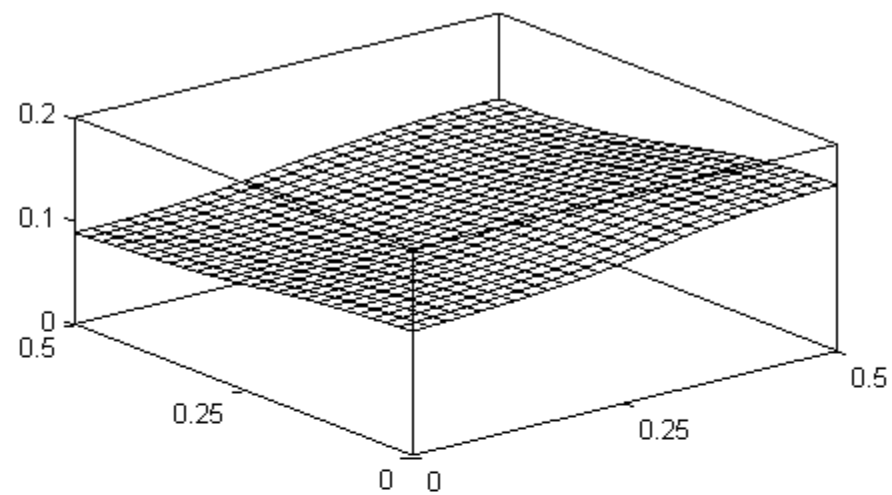


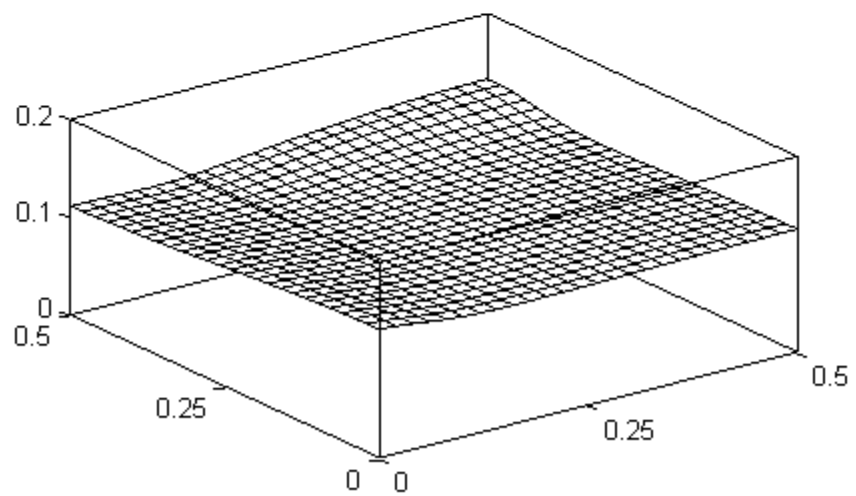
**t=1.0 sec**



**t=1.5 sec**



**t=1.8 sec**



**t=2.2 sec**

